



# WHEELS FOR INDUSTRIAL PURPOSES low-loaders, fork-lift trucks, trailers

## ИНДУСТРИАЛНИ КОЛЕЛА за кару-нискотоварачи, високоповзгачи и ремаркета

### DISC WHEELS WITH THREE-PIECE FLAT BASE RIM

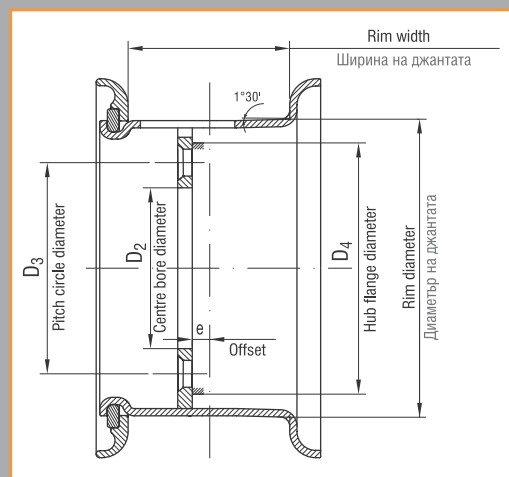
### ДИСКОВИ КОЛЕЛА С ТРИКОМПОНЕНТНИ ПЛОСКИ ДЖАНТИ



For Pneumatic and Solid Tyres  
За пневматични и супереластични гуми



For Solid Tyres type:  
За супереластични гуми тип:  
CSE - SIT (Continental)  
ELTOR FIX (Marangoni)  
ROTA - Plus (Vorwerk)  
Limpet Solid (Watts)



rim size/ tyres	No of holes, N	pitch circle D3	centre hole D2	type of stud holes	hub flange D4	weight kg	offset E	half DS A/2	wheel ID
джанта/ гуми	број на отворите, N	д. на разпол. на отворите, D3	централен отвор, D2	вид на отворите	контактна поврхност, D4	маса kg	несимет- ричност, E	A/2	колело, черт.№
<b>4.33R-8</b>									
	<b>4</b>								
16x6-8		98	59.3	14.5/19.5/90°	175	8.170	-7	-	2027-47
16x6-8/4.33 SOLID		100	60	14/18/60°	180	8.600	-5.5	-	2027-103
16x6R 8		115	85	Ø15	180	7.950	-8	-	2027-74
18x7-8		115	85	15/23/90°	180	8.250	-12.5	-	2027-90
18x7R 8		130	85	A-1	180	7.930	-5	-	2027-40
18x7-8/4.33 SOLID		130	96	A-1	180	7.800	-5	-	2027-71
150/75R 8	<b>5</b>								
180/70R 8		115	78	16.5/22/R14	180	8.320	19.5	-	2027-64
		120	80	16/20/R12	180	7.900	21	-	2027-13
		130	84	Ø15	180	7.150	45	-	2027-143
		130	90	17.5/20.8/60°	185	8.170	37.5	-	2027-81
		134	102.5	17.5/20.8/60°	180	8.000	-14	-	2027-80
		135	99	13/21/90°	180	7.630	2.5	-	2027-52
		135	101	14/20/R12	175	8.000	-7	-	2027-128
		136	101	15/23/90°	180	7.670	-6	-	2027-157
		137	102	15/23/90°	180	7.670	-8	-	2027-159
		140	93	Ø16.5	180	7.750	38.5	-	2027-130
		140	93.5	Ø15	180		30	-	2027-30
		140	105	18/22/60°	180	7.600	-8	-	2027-121
		140	105	15/23/90°	185	7.660	-21.5	-	2027-165
		140	105	Ø15.5	175	7.690	-5.5	-	2027-46
		140	105	20/24/R14	180	7.600	-3.5	-	2027-145
		140	110	18.5/24/90°	180	7.850	-16	-	2027-146
		142	110	Ø17	178	7.530	-27	-	2027-141
		143	110	A-1	180	7.700	4.5	-	2027-83
		144	110	20/24/R14	180	7.900	11.5	-	2027-88
		145	109.5	15/24/90°	185	7.850	-14.5	-	2027-138
		145	110	A-1	180	7.520	0	-	2027-01
		145	110	18.5/24/90°	180	7.500	1.5	-	2027-113



rim size/ tyres	No of holes, N	pitch circle D3	centre hole D2	type of stud holes	hub flange D4	weight kg	offset E	half DS A/2	wheel ID
джанта/ гуми	брой на отворите, N	д. на разпол. на отворите, D3	централен отвор, D2	вид на отворите	контактна повърхност, D4	маса kg	несимет- ричност, E	A/2	колело, черт.№
<b>4.33R-8</b>	<b>5</b>								
		145	110	A-1	180	7.600	40	-	2027-05
		145	110	Ø15	180	7.580	40	-	2027-77
		145	110	Ø19	180	7.550	40	-	2027-37
		145	110	A-1	180	7.600	30	-	2027-02
		145	110	17.5/21/60°	180	7.560	40	-	2027-25
		145	110.2	Ø16	180	7.580	-9	-	2027-144
		145	110.3	A-1	180	7.700	16.5	-	2027-56
		145	111.5	17/22.5/R14	173	7.600	40	-	2027-142
		145	112	18.5/22/60°	180	7.450	19	-	2027-124
		145.5	112	A-1	180	7.500	42.5	-	2027-70
		146	110	A-1	180	7.600	39	-	2027-160
		146	110	B-2	180	7.800	-49.5	-	2027-89
		146	110	18.5/24/90°	180	7.500	41.5	-	2027-107
		146	111	A-1	180	7.600	9	-	2027-149
		146	113	Ø15	178	7.500	-15	-	2027-139
		146	114	18.5/24/90°	180	7.650	-17	-	2027-115
		147	110	A-1	180	8.240	50	-	2027-135
		147	111	A-1	180	7.600	11	-	2027-150
		148	110	17/21/R14	180	7.600	49.5	-	2027-48
		153	124.2	17/24/R14	184	7.350	-12	-	2027-164
		153	126	15/23/90°	180	7.320	-11	-	2027-158
		153	127	15/22/90°	184	7.330	-7	-	2027-125
		156	127.2	Ø15	177	7.300	-21	-	2027-127
		160	62	Ø12.5	180	8.070	18.5	-	2027-151
		160	110	Ø16	180	7.600	-35.5	-	2027-66
		160	110	A-1	182	7.700	-35	-	2027-99
	<b>6</b>								
		124	94	A-1	180	7.750	-20	-	2027-131
		124	94	16/21.5/R12	175	7.700	-6	-	2027-129
		124	94	Ø14	180	7.400	0	-	2027-102
		124	96	13/20/R12	180	7.400	-33	-	2027-116
		125	95	15/19/R12	180	8.050	-6.5	-	2027-134
		125	100	16/19/60°	180	7.750	-19.5	-	2027-118
		130	85	18/22/60°	180	7.780	-13	-	2027-119
		130	90	17.5/21/60°	180	7.850	10	-	2027-41
		139	110	Ø13.5	184	7.580	-3	-	2027-26
		140	100	16.5/22/90°	180	8.000	-26.5	-	2027-97
		140	100	Ø19	180	7.930	0	-	2027-21
		140	101	A-1	180	7.670	-1.5	-	2027-57
		140	110	A-2	180	7.600	-9	-	2027-45
		145	110	17.5/21/60°	180	7.500	5	-	2027-162
		145	110	15/20/R12	180	7.600	0	-	2027-96
		148	110	14.5/17.5/60°	184	7.620	0	-	2027-29
		148.5	115	18.5/24/90°	180	7.450	0	-	2027-154
		150	110	22/27/60°	180	7.450	-8.5	-	2027-108
	<b>7</b>								
		112	80	Ø15	180	7.980	3	-	2027-76
		145	110	A-1	185	7.450	0	-	2027-122
	<b>8</b>								
		130	96	Ø16	180	7.700	19.5	-	2027-106
		136	108	14.5/17.5/60°	175	7.300	30	-	2027-35
		138.5	104.5	18.5/24/60°	180	7.600	-15	-	2027-153
		140	100	A-1	180	7.850	-12	-	2027-22
		145	110	A-1	180	7.450	40	-	2027-75
		150	120	16/20/60°	180	7.360	-35	-	2027-18
		150	120	A-1	180	7.320	-42	-	2027-120
	<b>10</b>								
		139	106	A-1	180	7.500	-8	-	2027-156
		140	105	A-1	180	7.500	-7	-	2027-101
		140	105	18.5/24/90°	180	7.500	-11	-	2027-147
	<b>11</b>								
		149	124	13.5/17/60°	180	7.360	18	-	2027-60
		149	124	Ø13	180	7.400	20	-	2027-28